



MODCON

CREATING CONCRETE SOLUTIONS

Balusters Coping Plinth Catalogue

Tel: 786-2476

Fax: 887-2877

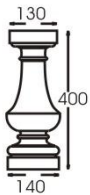
www.modconrsa.co.za

info@modconprecast.co.za

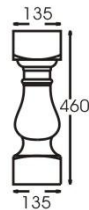


All products Copyright to Modcon Precast 1999

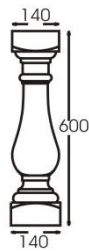
Modcon Baluster



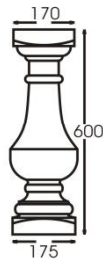
Baluster Type 001



Baluster Type 002



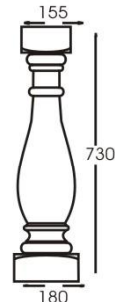
Baluster Type 003



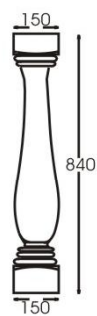
Baluster Type 004



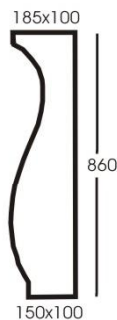
Baluster Type 005



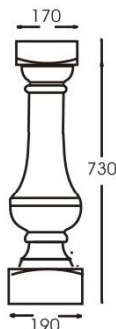
Baluster Type 005a



Baluster Type 006



Baluster Type 007



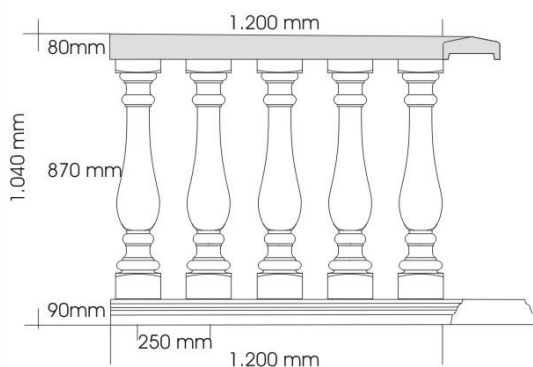
Baluster Type 008



Baluster Type 009



Baluster Type 010



Manufacturing

Manufactured from 25-30mpa reinforced concrete and Y10 bar, that extends from bottom of the baluster by approximately 150mm. The finish is a smooth grey off shutter concrete. Sandstone colour is available only for large orders.

Installation:

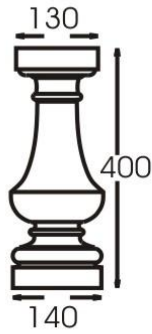
It is up to the customer to use his own discretion as how to space the balusters, **kindly note that the municipal building regulations should be taken into consideration due to safety factors.**

We recommend our specially designed pre-drilled plinths with holes at 250mm centers to achieve the correct standard spacing between each baluster. To install the above, the plinth (1.2m long) is set using normal mortar. When set the baluster is then glued down by using normal tile adhesive, this must then also be allowed to dry, before installing the coping (1.2m long) once again using tile adhesive.

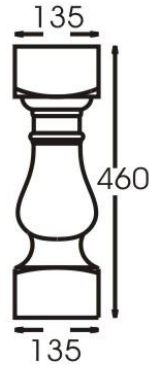
Modcon can in no way hold itself responsible for any installation not undertaken by our official installing agents.

Email info@modconprecast.co.za www.modconprecast.co.za Tel: (011) 786-2476 Fax: (011) 887-2877

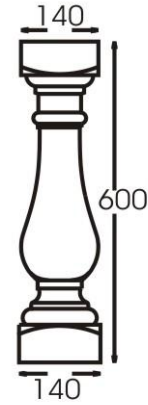
Balusters



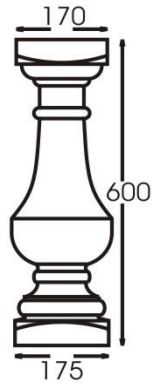
Baluster Type 001



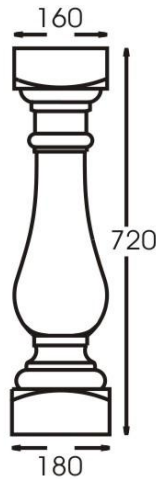
Baluster Type 002



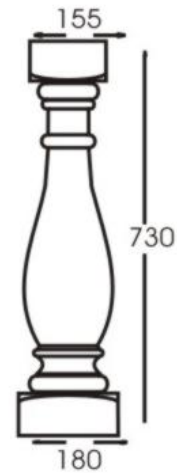
Baluster Type 003



Baluster Type 004

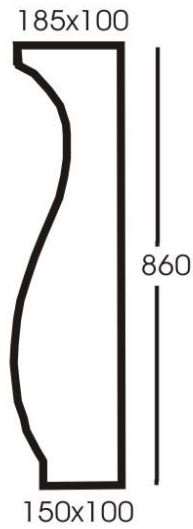


Baluster Type 005

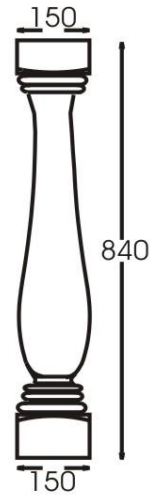


Baluster Type 005a

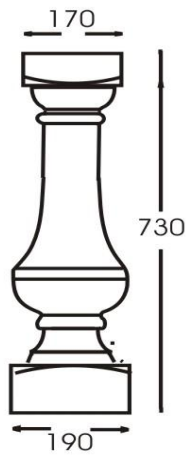
Balusters



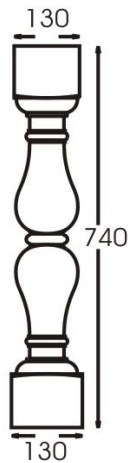
Baluster Type 007



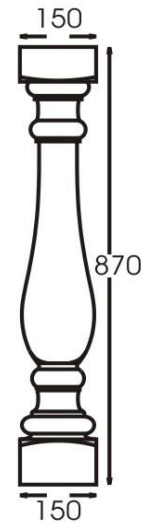
Baluster Type 006



Baluster Type 008

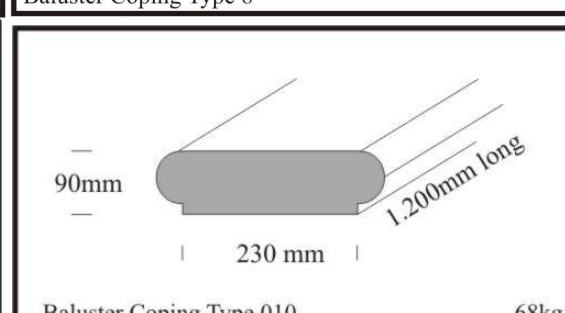
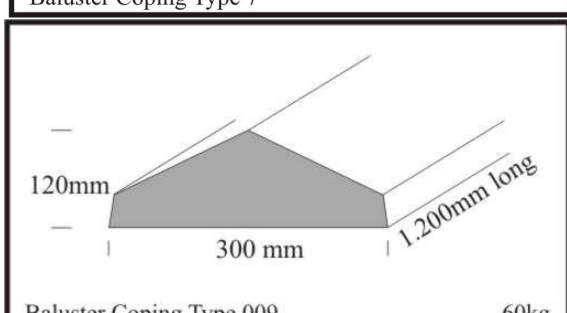
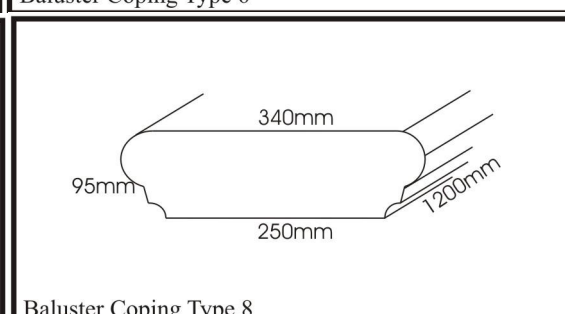
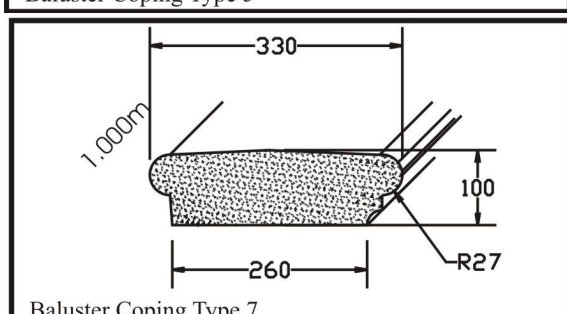
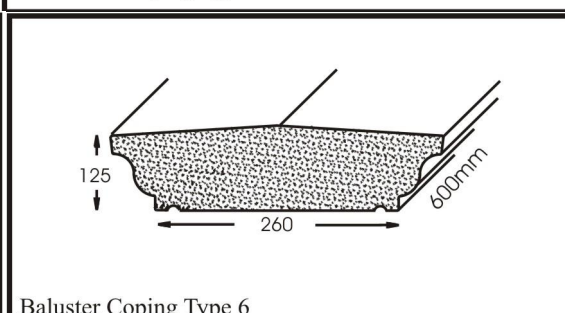
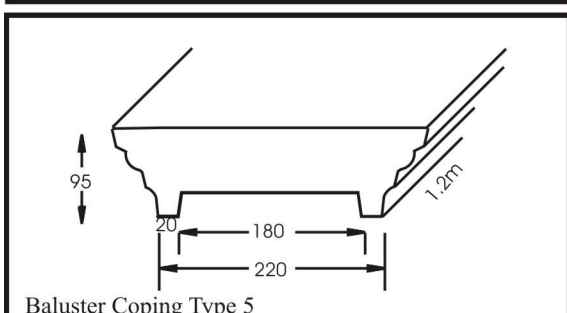
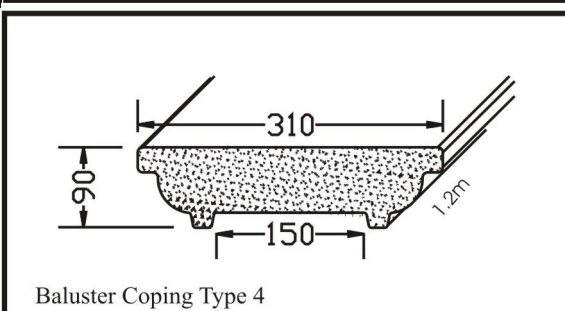
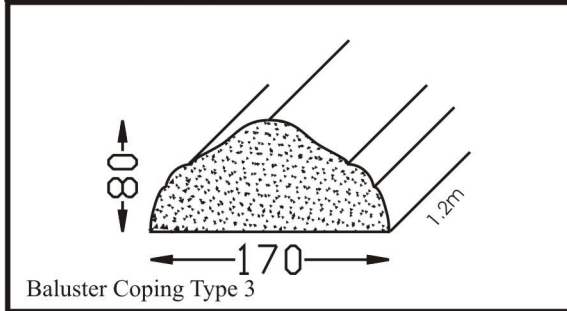
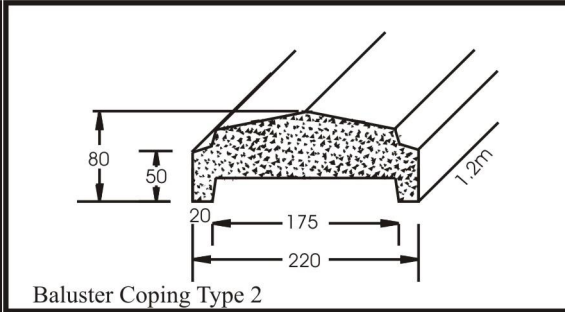
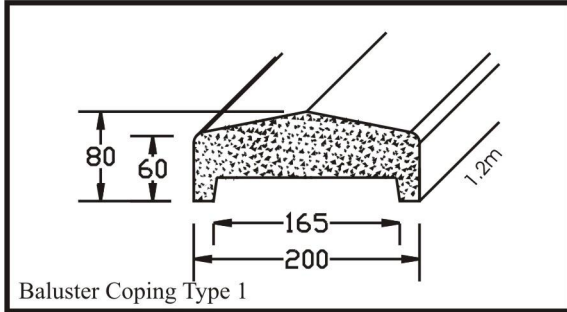


Baluster Type 009

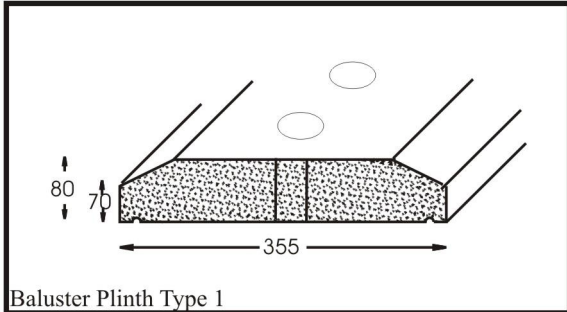


Baluster Type 010

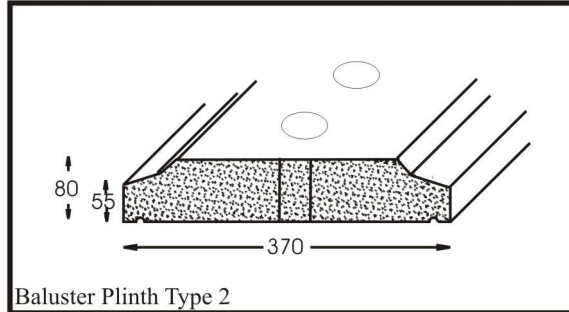
Balusters coping



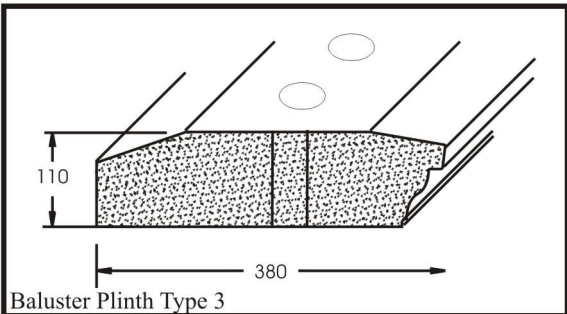
Balusters Plinth



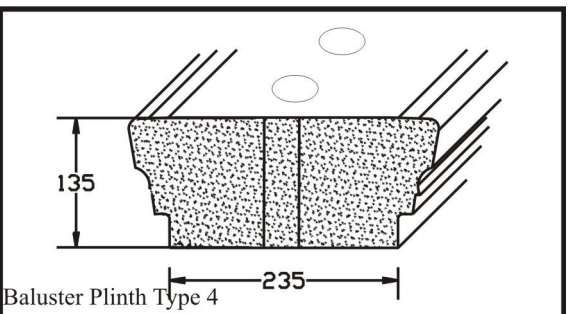
Baluster Plinth Type 1



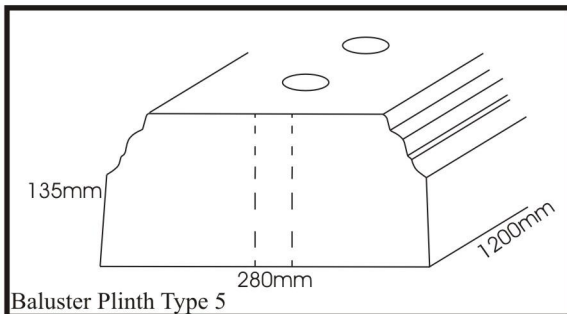
Baluster Plinth Type 2



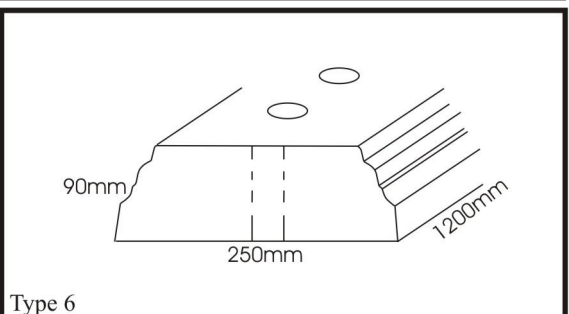
Baluster Plinth Type 3



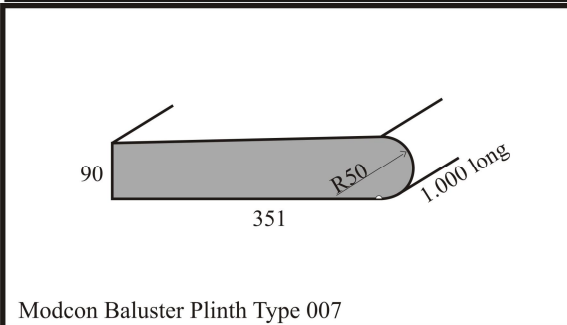
Baluster Plinth Type 4



Baluster Plinth Type 5



Type 6



Modcon Baluster Plinth Type 007